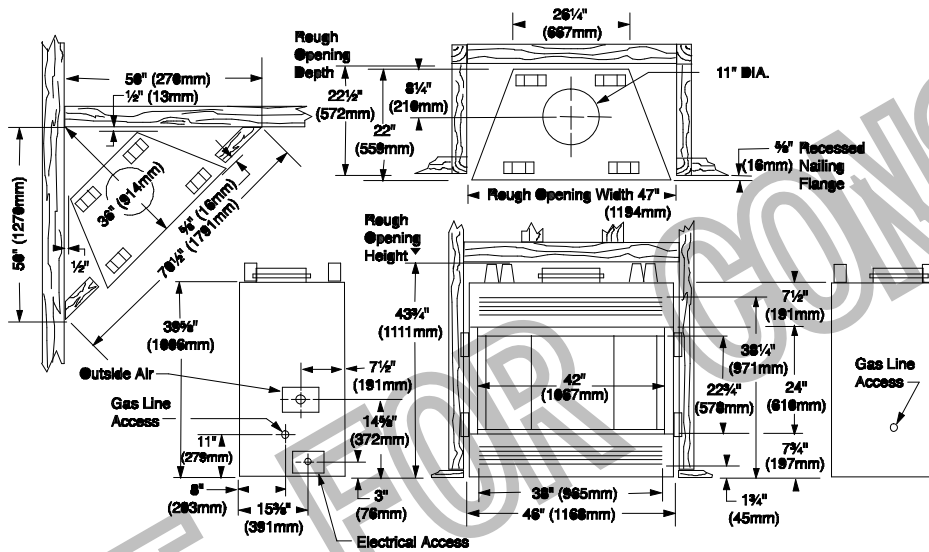
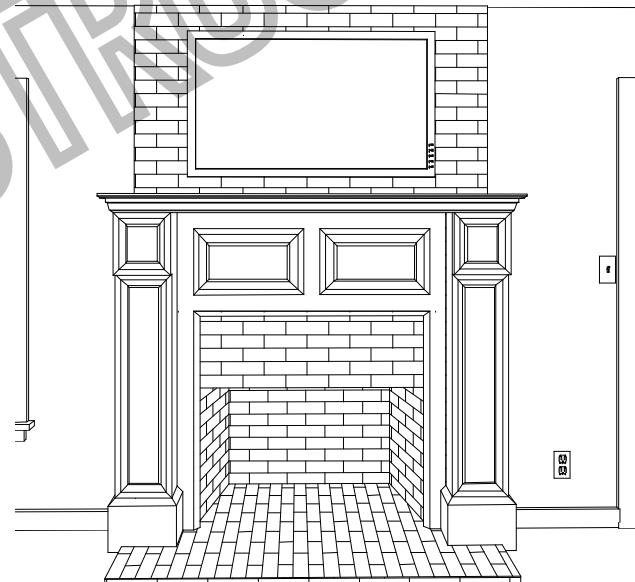


THIS WILL BE A PRE-FAB FIREPLACE
 MANUFACTURER'S BROCHURE INCLUDED
 WITH PERMIT APPLICATION



FP582
 SC42 SPECS
 10/02



SHOWN AS DESIGN EXAMPLE

Stevo's Custom Carpentry

756 Warwick Court Carol Stream, IL 60188
 630-776-5920 www.stevohammersmith.com

Home owner's residence

FIREPLACE PLAN

ARCHITECTURAL
 STAMP

SCALE: 1/4" = 1"
 WHERE APPLIES
 10/26/2006
 DRAWN BY: STEVO

SHEET NUMBER
 OF PAGE
 A-11 11